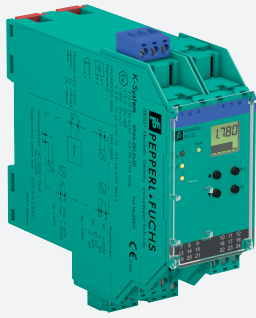


Switch Amplifier, Timer Relay

KFA6-DU-Ex1.D



- 1-channel isolated barrier
- 230 V AC supply
- Dry contact or NAMUR inputs
- Relay contact and transistor output
- Adjustable output timer functions from 10 ms ... 60 min
- Input frequency up to 80 Hz; pulse divider up to 1 kHz
- Reset function
- Configurable by keypad
- Line fault detection (LFD)



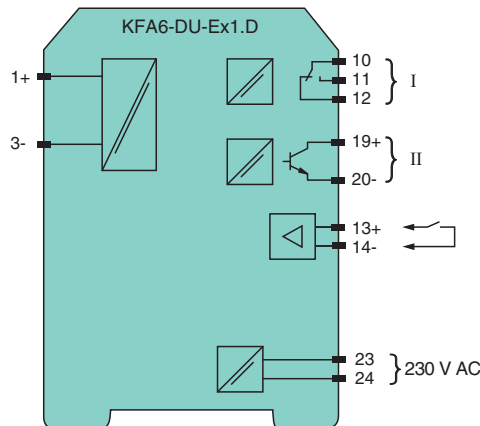
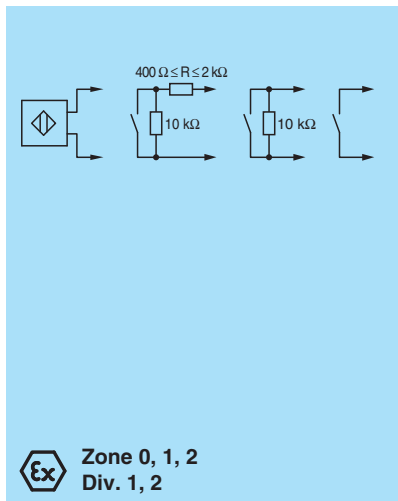
Function

This isolated barrier is used for intrinsic safety applications. It is a highly configurable timer that accepts a digital signal (NAMUR sensor/mechanical contact) from a hazardous area and is commonly used in applications requiring on-delay, off-delay, one-shot, or pulse lengthening.

The output relay switch duration is easily adjusted, and a pulse divider function allows step-down ratios from 1:1 to 9999:1.

A reset can be activated via dry contact switch and used to terminate a particular time function. The unit is easily programmed by the use of a keypad located on the front of the unit. Line fault detection of the field circuit is indicated by a red LED. For additional information, refer to the manual and www.pepperl-fuchs.com.

Connection



Technical Data

General specifications

Signal type	Digital Input	
Supply		
Connection	terminals 23, 24	
Rated voltage	U_r	230 V AC \pm 10 %
Rated current	I_r	15 mA
Power consumption	4 VA	
Input		
Connection side	field side	
Connection	Input I: terminals 1+, 3- ; input II: terminals 13+, 14-	

Release date: 2022-01-10 Date of issue: 2022-01-10 Filename: 231211_eng.pdf

Refer to "General Notes Relating to Pepperl+Fuchs Product Information".

Pepperl+Fuchs Group
www.pepperl-fuchs.com

USA: +1 330 486 0002
pa-info@us.pepperl-fuchs.com

Germany: +49 621 776 2222
pa-info@de.pepperl-fuchs.com

Singapore: +65 6779 9091
pa-info@sg.pepperl-fuchs.com

PEPPERL+FUCHS

Technical Data

Input I	acc. to EN 60947-5-6 (NAMUR), see manual for electrical data
Open circuit voltage/short-circuit current	8.2 V / 10 mA
Switching point/switching hysteresis	1.2 ... 2.1 mA / approx. 0.2 mA
Pulse duration	min. 75 µs / 1 ms see instruction manuals; the maximum input frequency has to be observed.
Input frequency	0 ... 80 Hz , pulse divider 0 ... 1 kHz
Line fault detection	breakage I ≤ 0.15 mA; short-circuit I > 6.5 mA
Input II	reset
Active/Passive	I > 3 mA / I < 1.5 mA
Open circuit voltage/short-circuit current	12 V / 3.5 mA
Pulse duration	min. 10 ms
Output	
Connection side	control side
Connection	output I: terminals 10, 11, 12 ; output II: terminals 19+, 20-
Output I	signal , Relay output
Contact loading	253 V AC/ 2 A / $\cos \phi \geq 0.7$; 40 V DC/ 2 A
Mechanical life	5 x 10 ⁷ switching cycles
Energized/De-energized delay	approx. 20 ms / approx. 20 ms
Output II	signal , electronic unit, isolated
Contact loading	40 V / 50 mA
Energized/De-energized delay	after rising input flank 3 ms ; after falling input flank 2 ms
Signal level	1-signal: (L+) -2.5 V (50 mA, short-circuit/overload proof) 0-signal: blocked output (off-state current ≤ 10 µA)
Transfer characteristics	
Input I	
Resolution	< 0.1 % of the set value, min. 10 ms
Accuracy	2 ms
Influence of ambient temperature	0.003 %/K (50 ppm)
Galvanic isolation	
Input I/other circuits	reinforced insulation according to IEC/EN 61010-1, rated insulation voltage 300 V _{eff}
Output I/power supply and reset	reinforced insulation according to IEC/EN 61010-1, rated insulation voltage 300 V _{eff}
Output I, II against each other	reinforced insulation according to IEC/EN 61010-1, rated insulation voltage 300 V _{eff}
Output II/power supply	reinforced insulation according to IEC/EN 61010-1, rated insulation voltage 300 V _{eff}
Output II/reset	basic insulation according to IEC/EN 61010-1, rated insulation voltage 50 V _{eff}
Reset/power supply	reinforced insulation according to IEC/EN 61010-1, rated insulation voltage 300 V _{eff}
Indicators/settings	
Display elements	LEDs , display
Control elements	Control panel
Configuration	via operating buttons
Labeling	space for labeling at the front
Directive conformity	
Electromagnetic compatibility	
Directive 2014/30/EU	EN 61326-1:2013 (industrial locations)
Low voltage	
Directive 2014/35/EU	EN 61010-1:2010
Conformity	
Electromagnetic compatibility	NE 21:2006
Degree of protection	IEC 60529:2001
Ambient conditions	
Ambient temperature	-20 ... 60 °C (-4 ... 140 °F)
Mechanical specifications	
Degree of protection	IP20
Connection	screw terminals
Mass	approx. 300 g

Release date: 2022-01-10 Date of issue: 2022-01-10 Filename: 231211_eng.pdf

Refer to "General Notes Relating to Pepperl+Fuchs Product Information".

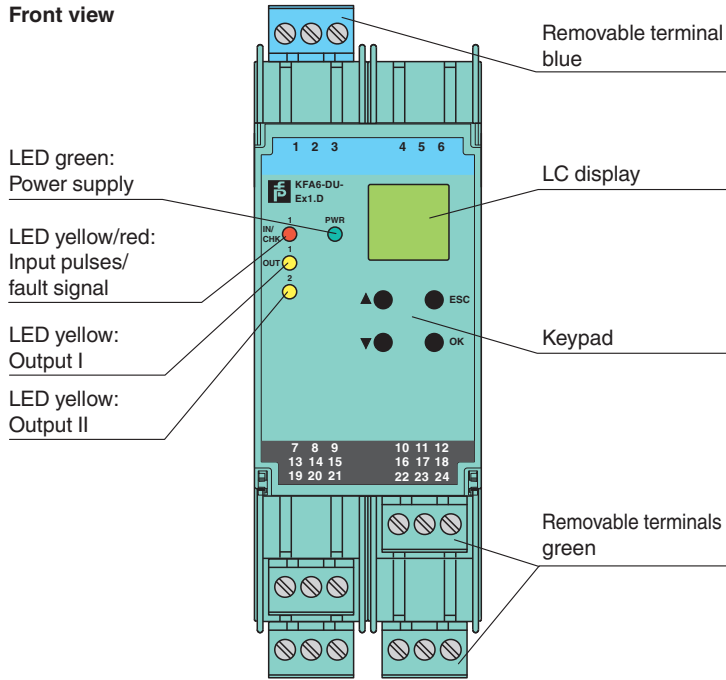
Pepperl+Fuchs Group
www.pepperl-fuchs.comUSA: +1 330 486 0002
pa-info@us.pepperl-fuchs.comGermany: +49 621 776 2222
pa-info@de.pepperl-fuchs.comSingapore: +65 6779 9091
pa-info@sg.pepperl-fuchs.com

PEPPERL+FUCHS

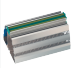
Technical Data

Dimensions	40 x 119 x 115 mm (1.6 x 4.7 x 4.5 inch) (W x H x D) , housing type C2	
Mounting	on 35 mm DIN mounting rail acc. to EN 60715:2001	
Data for application in connection with hazardous areas		
EU-type examination certificate	TÜV 99 ATEX 1408	
Marking	Ⓜ II (1)G [Ex ia Ga] IIC Ⓜ II (1)D [Ex ia Da] IIIC Ⓜ I (M1) [Ex ia Ma] I	
Supply		
Maximum safe voltage	U_m	253 V AC (Attention! The rated voltage can be lower.)
Input I	terminals 1+, 3-: Ex ia	
Voltage U_o	10.1 V	
Current I_o	13.5 mA	
Power P_o	34 mW (linear characteristic)	
Input II	terminals 13+, 14- non-intrinsically safe	
Maximum safe voltage U_m	40 V (Attention! The rated voltage can be lower.)	
Output I	terminals 10, 11, 12 non-intrinsically safe	
Contact loading	253 V AC/2 A/cos $\phi > 0.7$; 40 V DC/2 A resistive load	
Maximum safe voltage	U_m	253 V (Attention! The rated voltage can be lower.)
Output II	terminals 19+, 20- non-intrinsically safe	
Maximum safe voltage	U_m	40 V (Attention! The rated voltage can be lower.)
Certificate	TÜV 02 ATEX 1885 X	
Marking	Ⓜ II 3G Ex nA nC IIC T4 Gc	
Output I		
Contact loading	50 V AC/2 A/cos $\phi > 0.7$; 40 V DC/2 A resistive load	
Galvanic isolation		
Input I/other circuits	safe electrical isolation acc. to IEC/EN 60079-11, voltage peak value 375 V	
Directive conformity		
Directive 2014/34/EU	EN 60079-0:2012+A11:2013 , EN 60079-11:2012 , EN 60079-15:2010	
International approvals		
FM approval		
Control drawing	16-538FM-12	
UL approval	E223772	
IECEx approval		
IECEx certificate	IECEx TUN 03.0000	
IECEx marking	[Ex ia Ga] IIC , [Ex ia Da] IIIC , [Ex ia Ma] I	
General information		
Supplementary information	Observe the certificates, declarations of conformity, instruction manuals, and manuals where applicable. For information see www.pepperl-fuchs.com .	





Assembly



Matching System Components

	K-DUCT-BU	Profile rail, wiring comb field side, blue
---	------------------	--

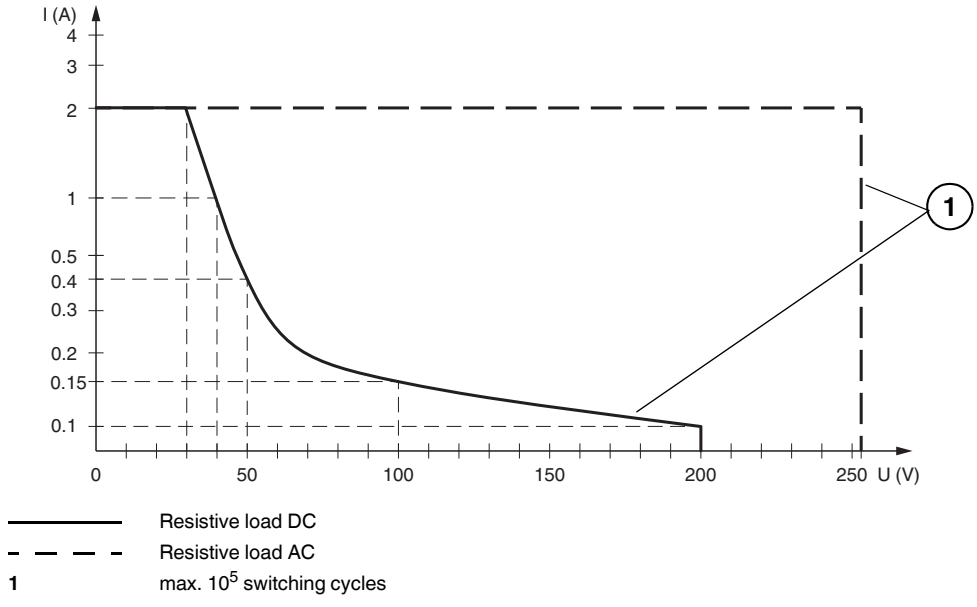
Accessories

	F-NR3-Ex1	NAMUR Resistor Network
	KF-ST-5GN	Terminal block for KF modules, 3-pin screw terminal, green
	KF-ST-5BU	Terminal block for KF modules, 3-pin screw terminal, blue
	KF-CP	Red coding pins, packaging unit: 20 x 6

Release date: 2022-01-10 Date of issue: 2022-01-10 Filename: 231211_eng.pdf

Characteristic Curve

Maximum Switching Power of Output Contacts



Release date: 2022-01-10 Date of issue: 2022-01-10 Filename: 231211_eng.pdf

Refer to "General Notes Relating to Pepperl+Fuchs Product Information".

Pepperl+Fuchs Group
www.pepperl-fuchs.com

USA: +1 330 486 0002
pa-info@us.pepperl-fuchs.com

Germany: +49 621 776 2222
pa-info@de.pepperl-fuchs.com

Singapore: +65 6779 9091
pa-info@sg.pepperl-fuchs.com

PEPPERL+FUCHS